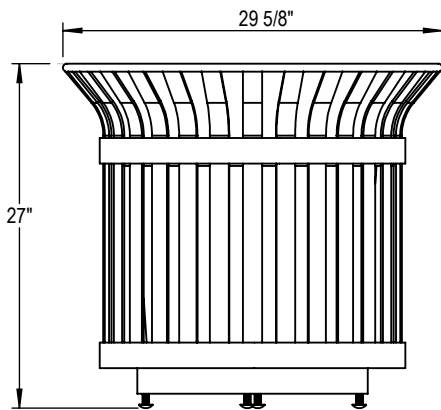




BigPlanters.com

Experts in Planter Perfection!

Recycled Steel Carnival Planter Spec Sheet



- Dimensions: 29 5/8" Width, 27" Height
- Weight: 104 lbs.
- Materials: Recycled Metal
- Color Options: Black, White, Gray, Blue, Green, Red, Berry, Bronze, Silver, White Metallic, Silver Metallic