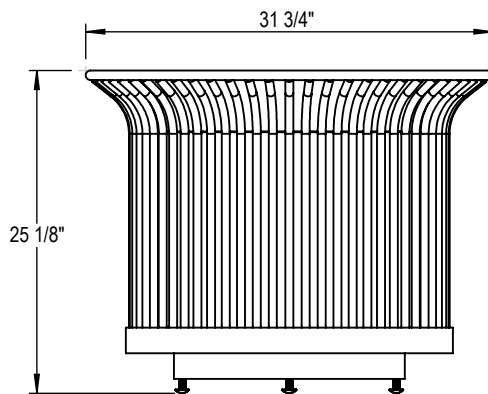




BigPlanters.com

Experts in Planter Perfection!

Recycled Steel Cunningham Planter Spec Sheet



- Dimensions: 31 3/4" Width, 25 1/8" Height,
- Weight: 167 lbs.
- Materials: Recycled Steel
- Color Options: Black, White, Gray, Blue, Green, Red, Berry, Bronze, Silver, White Metallic, Silver Metallic