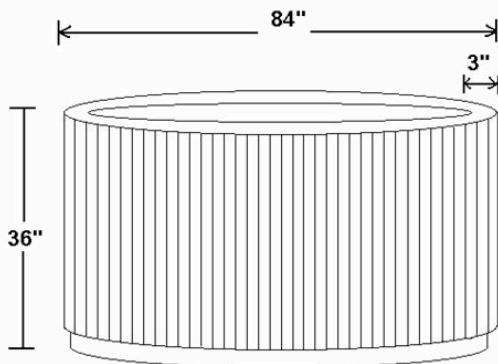




BigPlanters.com

Experts in Planter Perfection!

Specification Sheet PC84RF: 7' Round Fluted Concrete Planter



Specifications:

- Dimensions: 84" overall diameter, 36" height, 3" wall thickness
- Weight: 6200 lbs
- Materials: 3/8" steel rebar, Type 3 Portland cement conforming to ASTM C31 specifications
- Stress Load: 5000 PSI at 28 days
- Finish options: Light Sandblast
- Color Options: Natural
- Warranty: One year warranty against manufacturer's defects