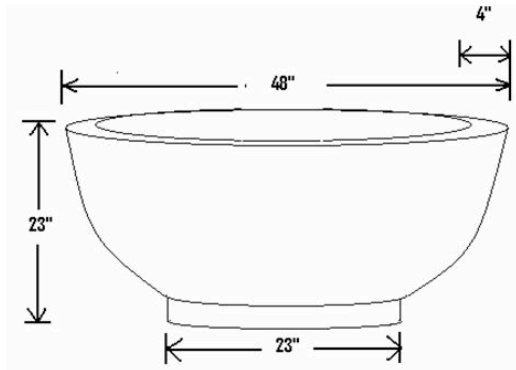




BigPlanters.com

Experts in Planter Perfection!

Specification Sheet PC48R: 4' Round Concrete Bowl Planter



Specifications:

- Dimensions: 48" Overall Diameter, 23" Base Diameter, 23" Height, 4" Wall Thickness
- Weight: 1200 lbs
- Materials: 3/8" steel rebar, Type 3 Portland cement conforming to ASTM C31 specifications
- Stress Load: 5000 PSI at 28 days
- Finish options: Natural, Con-tex, Light Sandblast or Heavy Sandblast (please reference color/finish sheet)
- Color Options: Natural, Charcoal #920, Brown #238, Terra Cotta, Coco, Green or custom (please reference color/finish sheet)
- Warranty: One year warranty against manufacturer's defects