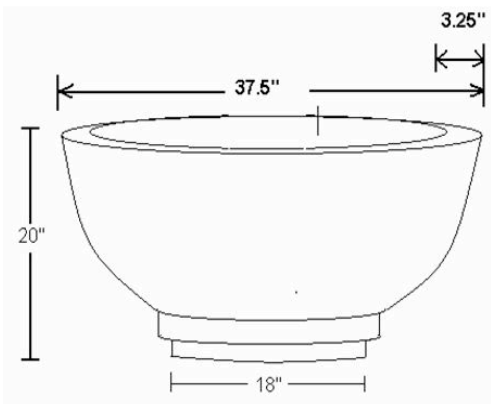




# BigPlanters.com

Experts in Planter Perfection!

## Specification Sheet PC36RDB: 3' Round Concrete Deco Base Bowl Planter



### Specifications:

- Dimensions: 37.5" Overall Diameter, 18" Base Diameter, 20" Height, 3.25" Wall Thickness
- Weight: 600 lbs
- Materials: 3/8" steel rebar, Type 3 Portland cement conforming to ASTM C31 specifications
- Stress Load: 5000 PSI at 28 days
- Finish options: Natural, Con-tex, Light Sandblast or Heavy Sandblast (please reference color/finish sheet)
- Color Options: Natural, Charcoal #920, Brown #238, Terra Cotta, Coco, Green or custom (please reference color/finish sheet)
- Warranty: One year warranty against manufacturer's defects